

# Assembly of 1" Safety Relief Valve 8200

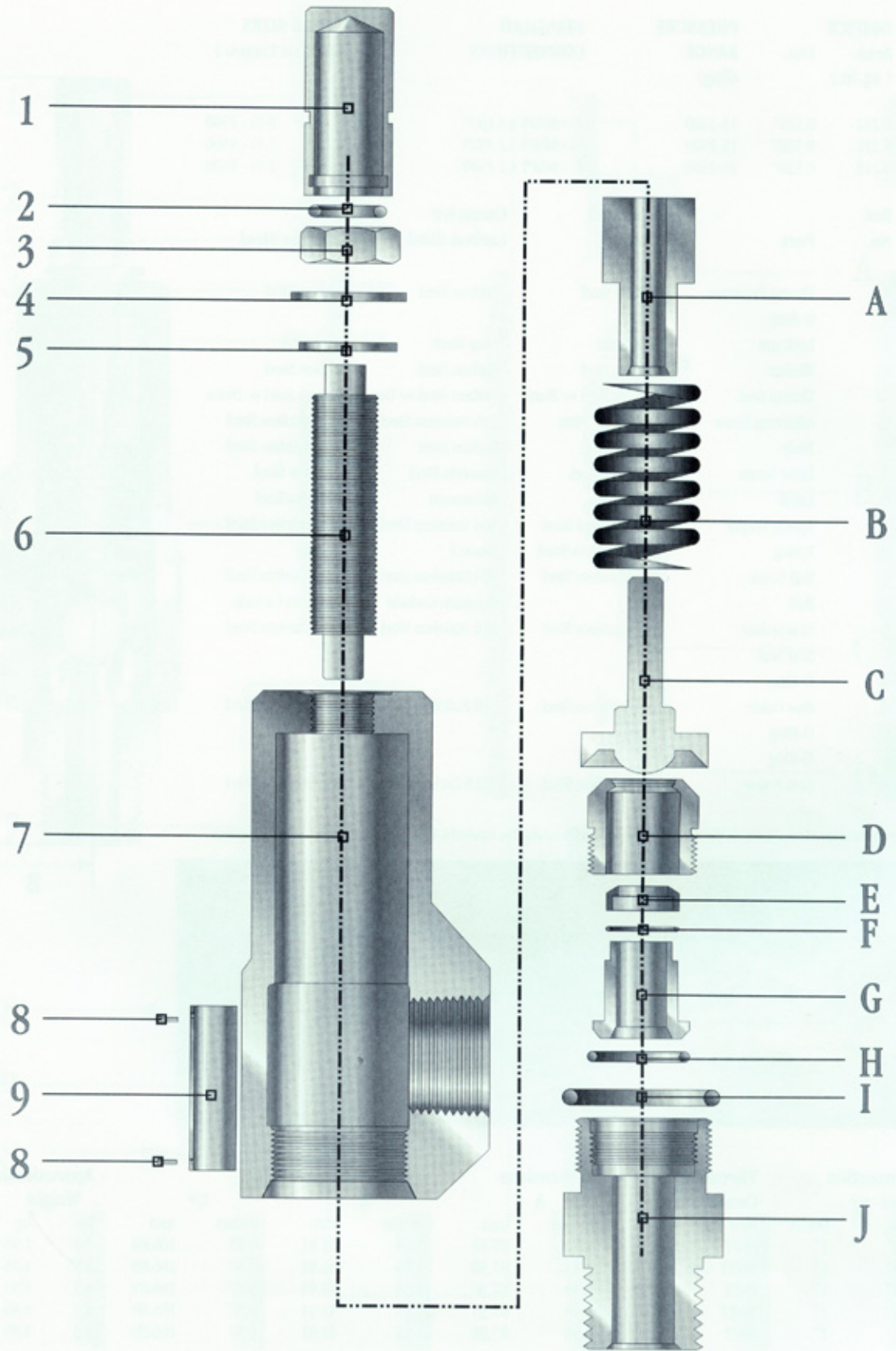
5/98

TAYLOR VALVE TECHNOLOGY, INC.

EXPLODED VIEW OF A INCH A SAFETY RELIEF VALVE

SRV-98

*Exploded View of 1" Safety Valve*



✕

# Bill of Material 1" Safety Relief Valve 8200

5/98

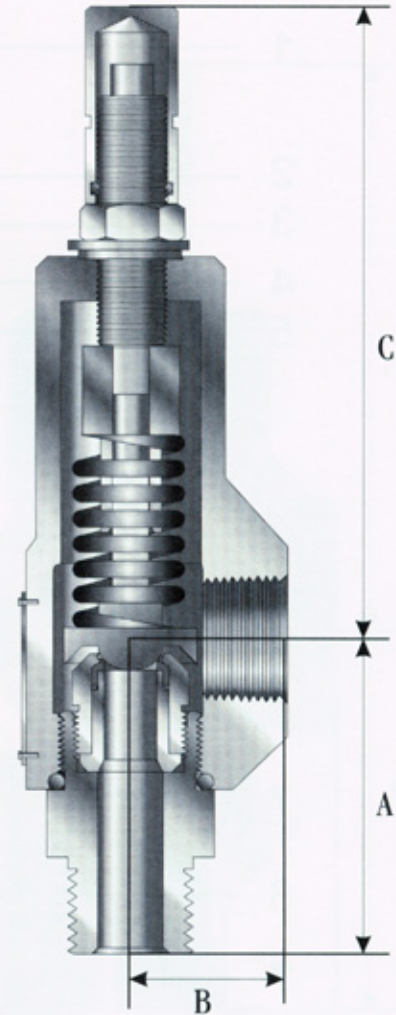
TAYLOR VALVE TECHNOLOGY, INC.

## BILL OF MATERIALS 1 INCH SAFETY RELIEF VALVE

SRV-98

ORIFICE		PRESSURE RANGE (psig)	STANDARD CONNECTIONS	FLANGE SIZES (Smallest/Largest)	
Area (sq. In.)	Dia.				
0.128	D	15-4000	½ - MNPT x 1 FNPT	½ - 150	1 ½ - 1500
0.128	D	15-4000	¾ - MNPT x 1 FNPT	¾ - 150	1 ½ - 1500
0.128	D	15-4000	1 - MNPT x 1 FNPT	1 - 150	1 ½ - 900
0.212	E	15-2500	½ - MNPT x 1 FNPT	½ - 150	1 ½ - 900
0.212	E	15-2500	¾ - MNPT x 1 FNPT	¾ - 150	1 ½ - 900
0.212	E	15-2500	1 - MNPT x 1 FNPT	1 - 150	1 ½ - 900
0.357	F	1500-2000	¾ - FNPT x 1 FNPT	¾ - 150	1 ½ - 600
0.357	F	1500-2000	1 - FNPT x 1 FNPT	1 - 150	1 ½ - 600

Ref. No.	Part	Standard Service	Corrosive Carbon Steel	NACE Stainless Steel
1.	Thread Protector	Carbon Steel	Carbon Steel	Carbon Steel
2.	O-Ring	*	*	*
3.	Lock nut	Alloy Steel	Alloy Steel	Alloy Steel
4.	Washer	Carbon Steel	Carbon Steel	Carbon Steel
5.	Thread Seal	Carbon Steel w/ Buna	Carbon Steel w/ Buna	Carbon Steel w/ Buna
6.	Adjusting Screw	CS /w Zinc Plate	316 Stainless Steel	316 Stainless Steel
7.	Body	Carbon Steel	Carbon Steel	316 Stainless Steel
8.	Drive Screw	Stainless Steel	Stainless Steel	Stainless Steel
9.	Label	Aluminum	Aluminum	Stainless Steel
A.	Spring Keeper	304 Stainless Steel	304 Stainless Steel	304 Stainless Steel
B.	Spring	17.7 Stainless Steel	Inconel	Inconel
C.	Disc	17.4 Stainless Steel	316 Stainless Steel	316 Stainless Steel
D.	Seat Holder	303 Stainless Steel	316 Stainless Steel	316 Stainless Steel
E.	Seat Seal	*	*	*
F.	O-Ring	*	*	*
G.	Seat Guide	303 Stainless Steel	316 Stainless Steel	316 Stainless Steel
H.	O-Ring	*	*	*
I.	O-Ring	*	*	*
J.	Seat Frame	1018 Carbon Steel	1018 Carbon Steel	316 Stainless Steel



Bill of Materials for Safety Valve

\* per customer specification based on *Elastomer Chart* provided in this catalog. The Standard is a 75 or 90 durometer fluorocarbon compound.

Connection Size		Threaded Connections		Dimensions				Approximate Weight			
Inlet	Outlet	Inlet	Outlet	A		B		C*		lbs	kg
				inches	mm	inches	mm	inches	mm		
1/2"	1"	FNPT	FNPT	3.44	87.38	1.65	41.91	6.57	166.89	4.3	1.95
1/2"	1"	MNPT	FNPT	3.44	87.38	1.65	41.91	6.57	166.89	4.3	1.95
3/4"	1"	FNPT	FNPT	3.44	87.38	1.65	41.91	6.57	166.89	4.3	1.95
3/4"	1"	MNPT	FNPT	3.44	87.38	1.65	41.91	6.57	166.89	4.3	1.95
1"	1"	FNPT	FNPT	3.44	87.38	1.65	41.91	6.57	166.89	4.3	1.95

\* With a lift lever the "C" dimension is 7.66" or 194.56 mm

