

R The Platinum 700 Cartridge Filter Housing

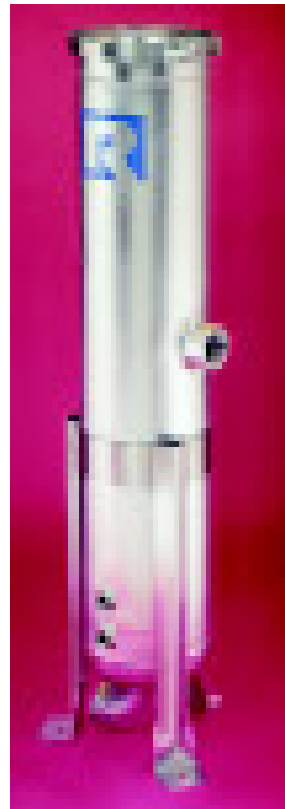
Ultra high capacity filter eliminates maintenance by providing high dirt removal

These new cartridge housings are designed to end the high cost of cartridge change-out. They are offered in three Model 8 styles (LCO, Polypropylene, and Standard Model 8) and Multi-cartridge housings.

Standard Features

- Housings available in carbon steel, 304 or 316 stainless steel and polypropylene
- Pressure ratings in 100, 125, and 150 psi
- Clean and dirty/gage port connections
- O-ring seals: Buna, Ethylene Propylene, Viton®, and Teflon® Encapsulated Viton®
- ASME code stamp available on selected models
- Flanged or threaded connection sizes from 2-inch through 10-inch
- Covers are o-ring sealed and easy to remove
- Leg assembly (excludes CR8)
- Multi-cartridge units are offered in the low profile design, for quick and easy cartridge removal

A single 700 Series cartridge unit will out perform 40 standard wound or 10 pleated cartridges, reducing maintenance. A decrease in cartridge use, reduces labor, inventory, worker exposure and disposal costs. Flow rates and contaminant holding capacities vary depending on micron size. A single cartridge element holds as much as 20 pounds of contaminant and flows to 100 gallons per minute. The labor-intensive v-posts and spring seals are eliminated and cartridges are easily removed, requiring no special tools. Elements are approximately 6.25-inch diameter and 35-inch length. The 700 series filter housings contain one, four, seven, or eighteen cartridges, with a 226-end cap design.



LC08135



8135



CR8135

For more detailed design information about the 700 Series cartridge element see page 126.

How To Order

Build an ordering code as shown in the example

Example: CR8135 - 2F - 1- 150 - P - B - 700 - C

MODEL NUMBER

Low Pressure, 1 Element = **LCO8135**
 Poly-Pro, 1 Element = **CR8135**
 Model 8, 1 Element = **8135**

PIPE SIZE, FLANGED

CR8, Flat Face class 150 = **2F**
 LCO8, female NPT = **2P**
 Model 8, RF class 150, or FNPT = **2F or 2P**

OUTLET STYLE

Side In/Bottom Out = **1**

PRESSURE RATING

Low pressure = **125 psi**
 Poly Pro = **100 psi**
 Model 8 = **150 psi**

HOUSING MATERIAL

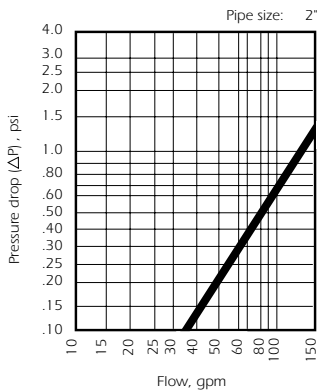
304 Stainless Steel = **S**
 Carbon Steel = **C**
 316 Stainless Steel (Excludes LCO8) = **S316**
 Polypropylene (CR8 only) = **P**

COVER GASKET

Buna = **B**
 Ethylene Propylene = **E**
 Viton® Fluorelastomer = **V**
 Teflon® Encapsulate Viton® = **TEV**
ELEMENT SERIES = **700**

ASME CODE OPTION

ASME Code Stamp (8135 only) = **C**



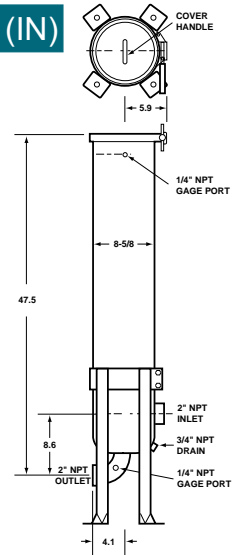
Viscosity Factors

	CPS NUMBER							
1 (H ₂ O)	50	100	200	400	600	800	1000	2000
	.65	.85	1.00	1.10	1.20	1.40	1.60	1.80

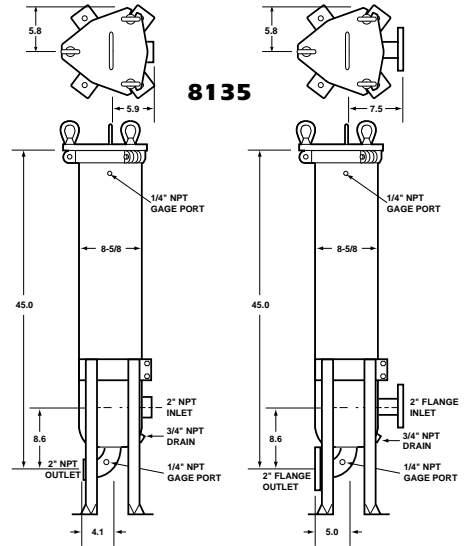
*Based on housing only. Fluid viscosity, filter cartridge used, and expected dirt loading should be considered when sizing a filter.

Dimensions (IN)

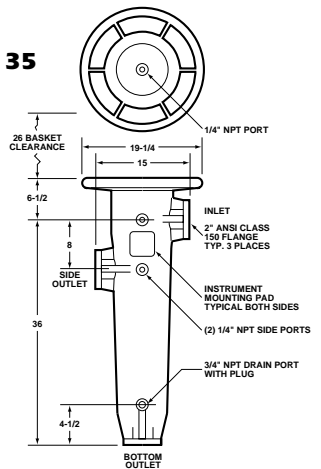
LCO8135



8135



CR8135



How To Order

Build an ordering code as shown in the example

Example: **SLP-18435 - 3F - 1- 150 - S - B - 700 - C**

HOUSING STYLE
Standard Low Profile = **SLP**

MODEL NUMBER
Model 18,4 Elements = **18435**
Model 24,7 Elements = **24735**
Model 36,18 Elements = **361835**

PIPE SIZE, FLANGED
Model 18 = **2F or 3F**
Model 24 = **3F or 4F**
Model 36 = **4F, 6F or 8F**

OUTLET STYLE
Side In/Bottom Out = **1**

PRESSURE RATING
150 PSI = **150**

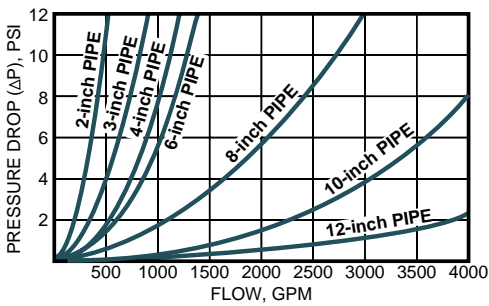
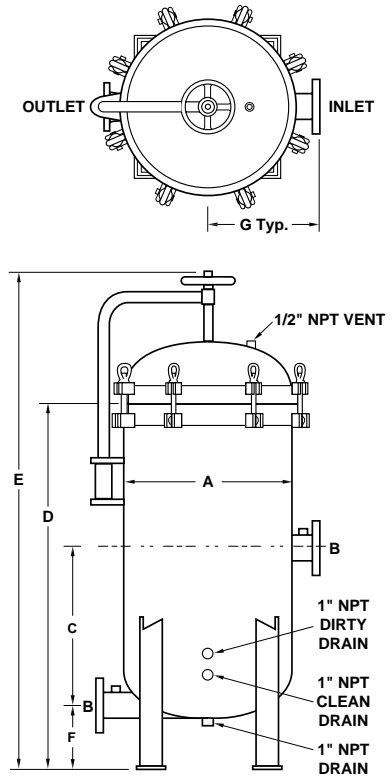
HOUSING MATERIAL
304 Stainless Steel = **S**
Carbon Steel = **C**
316 Stainless Steel = **S316**

COVER GASKET
Buna = **B**
Ethylene Propylene = **E**
Viton® Fluorelastomer = **V**
Teflon Encapsulate Viton® = **TEV**

ELEMENT SERIES = **700**

ASME CODE OPTION
ASME Code Stamp = **C**

Dimensions (IN)



*Based on housing only. Fluid viscosity, filter cartridge used, and expected dirt loading should be considered when sizing a filter.

MODEL NUMBER & Dim. A	Pipe Sizes B	Leg Bolt Circle Dia.	C	D	E	F	G
18	2	16.0	22.2	49.4	68.2	8.00	14.0
	3		21.6	49.8	68.7	9.00	14.0
24	3	22.0	23.1	51.3	71.7	9.00	18.0
	4		22.6	50.8	71.2	9.00	19.0
36	4	34.0	27.4	55.9	77.7	9.50	25.0
	6		26.3	55.9	77.6	10.5	26.0
	8		25.3	55.9	77.6	11.5	27.0

The Platinum 900 Cartridge Filter Housing

Ultra high capacity filtration system provides maximum dirt holding capacity—eliminating maintenance

End the high cost of element change-out with the Platinum 900-cartridge filter system. Imagine changing a filter element only once or twice a year, instead of changing several cartridges on a weekly or daily basis!

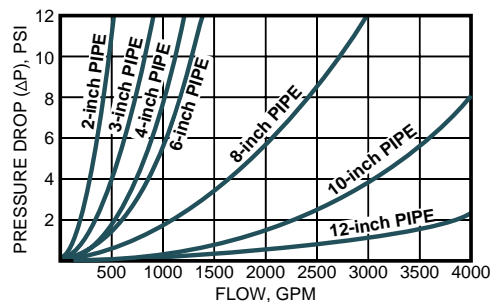
Standard Features

- Housings available in carbon steel, 304 or 316 stainless steel.
- Pressure rating 150 psi
- Clean and dirty/gauge port connections
- O-ring seals: Buna, Ethylene Propylene and Viton®
- Covers are o-ring sealed and easy to remove
- ASME code stamp (optional)
- Flange connection sizes from 3-inch through 10-inch
- Cable-hoist assembly for quick and easy removal of element is standard on Model 18 (optional on other models)

A single cartridge system has the life of 200 standard wound or 50 pleated cartridges, reducing maintenance. A decrease in cartridge use, reduces labor, inventory, worker exposure, and disposal costs. Flow rates and contaminant holding capacities vary depending on micron size. A single cartridge element can hold up to 100 pounds of contaminant and flows to 400 gallons per minute. Elements are 13-inch diameter and 40-inch length.

The 900 filter housings contain one, three, four, seven, or eight cartridges with a 226 end cap design.

By using the cable-hoist assembly change-out is completed in minutes. The element shipping container allows for easy handling and disposal.



*Based on housing only. Fluid viscosity, filter cartridge used, and expected dirt loading should be considered when sizing a filter.

Viscosity Factors

	CPS NUMBER								
1 (H ₂ O)	50	100	200	400	600	800	1000	2000	
	.65	.85	1.00	1.10	1.20	1.40	1.50	1.60	1.80

For more detailed design information about the 900 Series cartridge element see page 128.

How To Order

Build an ordering code as shown in the example

Example: **SLP - 18140 - 4F - 1- 150 - S - B - 900 - C**

HOUSING STYLE
Standard Low Profile = **SLP**

MODEL NUMBER
Model 18, 1 Elements = **18140**
Model 30, 3 Elements = **30340**
Model 36, 4 Elements = **36440**
Model 42, 7 Elements = **42740**
Model 48, 8 Elements = **48840**

PIPE SIZE, FLANGED
Model 18 = **2F or 3F**
Model 30 = **4F or 6F**
Model 36 = **6F or 8F**
Model 42 = **8F or 10F**
Model 48 = **8F or 10F**

OUTLET STYLE
Side In/Side Out = **1**

PRESSURE RATING
150 PSI = **150**

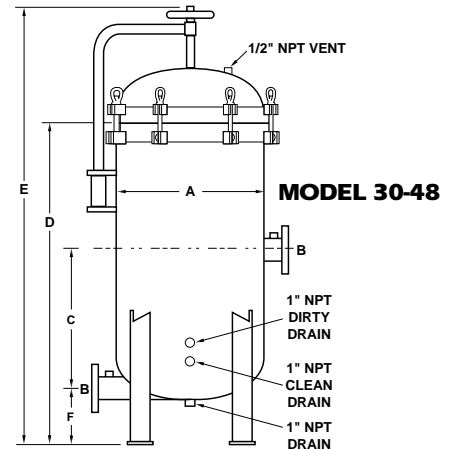
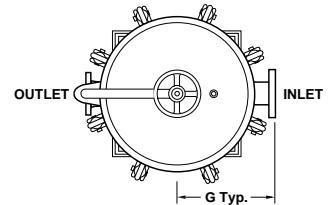
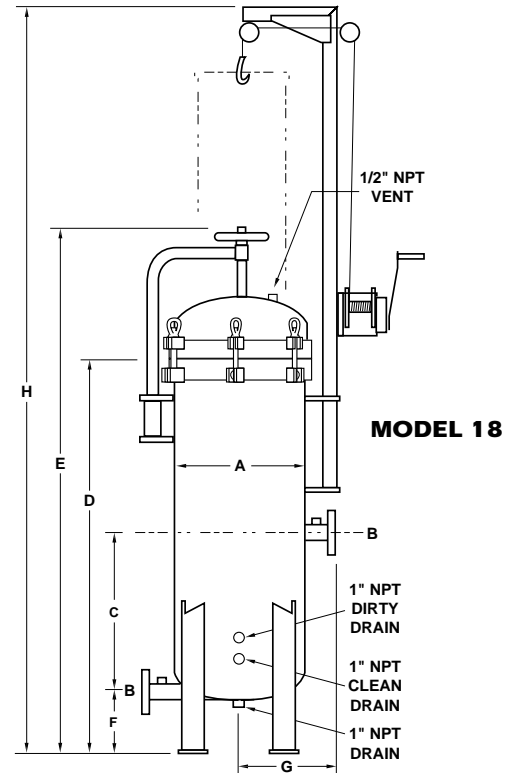
HOUSING MATERIAL
304 Stainless Steel = **S**
Carbon Steel = **C**
316 Stainless Steel = **S316**

COVER GASKET
Buna = **B**
Ethylene Propylene = **E**
Viton® Fluorelastomer = **V**
Teflon® Encapsulated Viton® = **TEV**

ELEMENT SERIES = **900**

ASME CODE OPTION
ASME Code Stamp = **C**

Dimensions (IN)



MODEL NUMBER & Dim. A	Pipe Sizes B	Leg Bolt Circle Dia.	C	D	E	F	G	H
18	2	16.0	22.2	53.4	72.2	8.0	14.0	101.8
	3		21.6	53.8	72.7	9.0	15.0	102.3
30	4	28.0	29.9	56.2	76.6	9.0	22.5	
	6		28.8	56.2	76.6	10.0	23.0	
36	6	34.0	28.7	57.7	79.5	10.5	26.0	
	8		27.3	57.7	79.5	11.5	27.0	
42	8	40.0	26.3	60.0	83.3	11.5	29.5	
	10		25.2	59.9	83.2	12.5	30.0	
48	8	46.0	29.2	61.2	86.7	11.5	32.5	
	10		28.1	61.1	86.6	12.5	33.0	